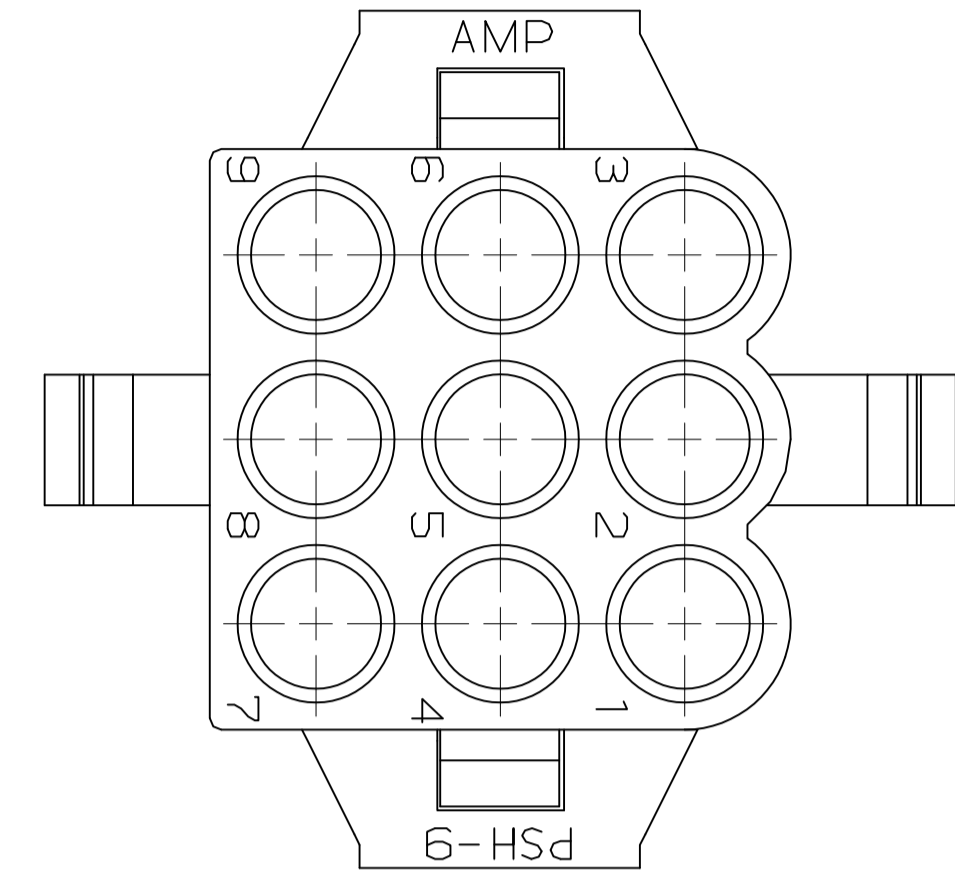
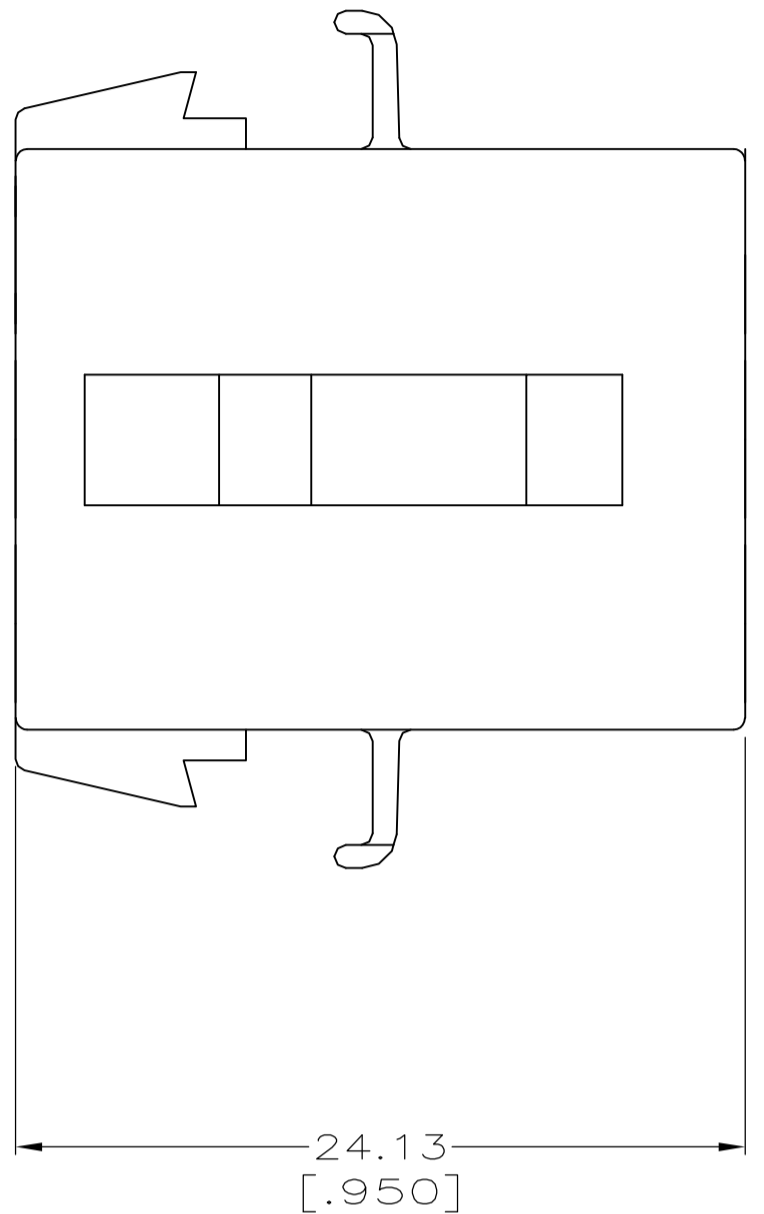
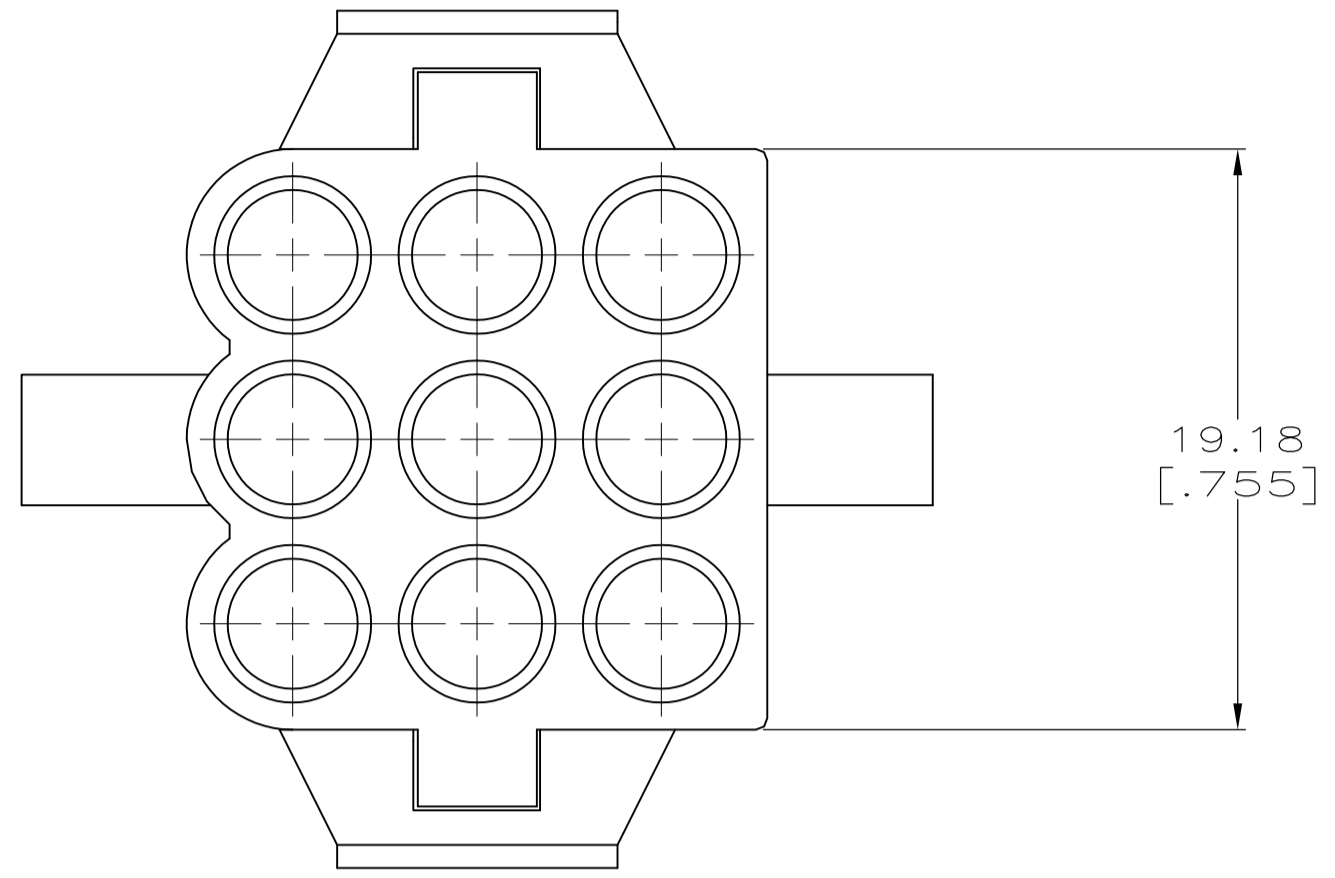
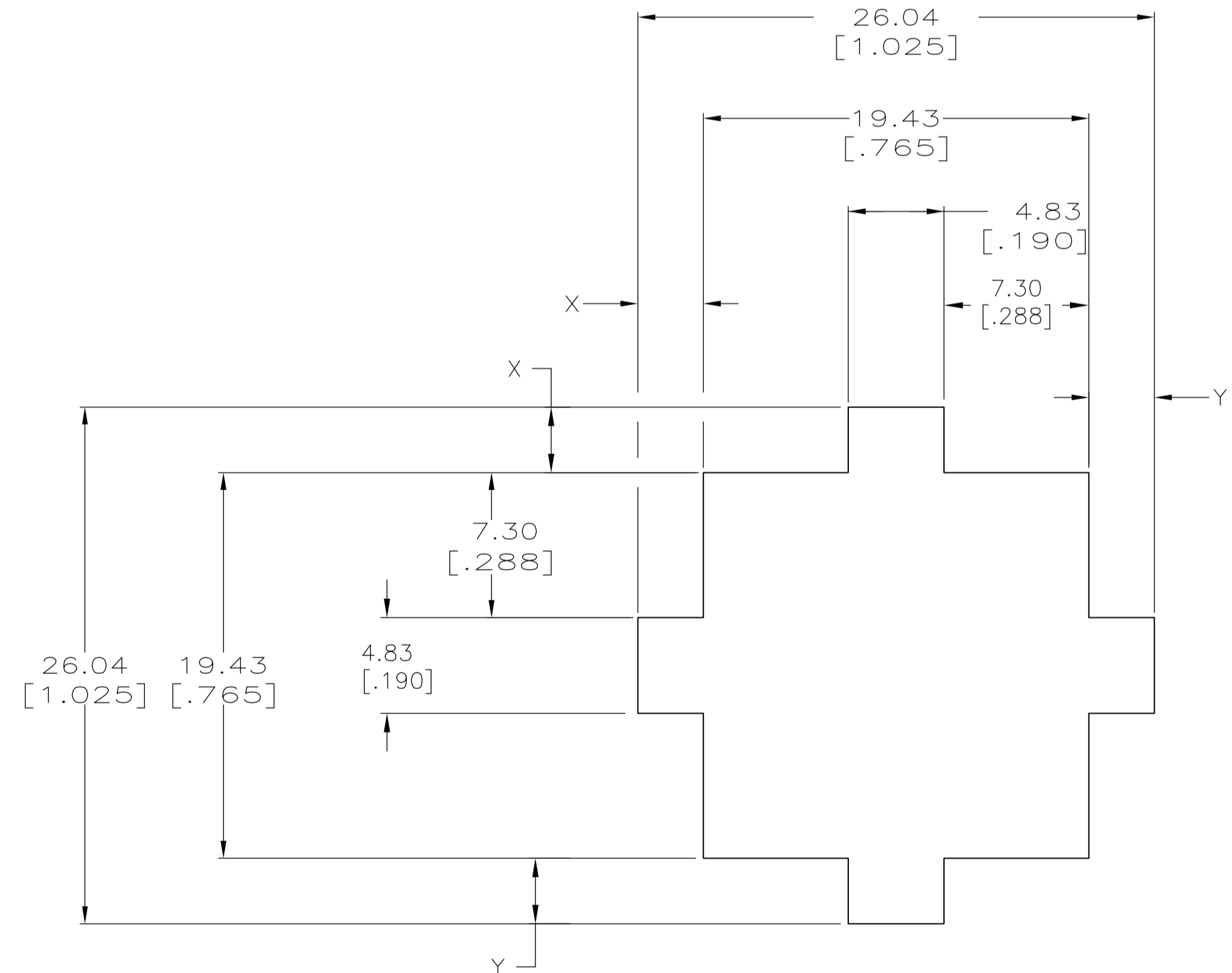
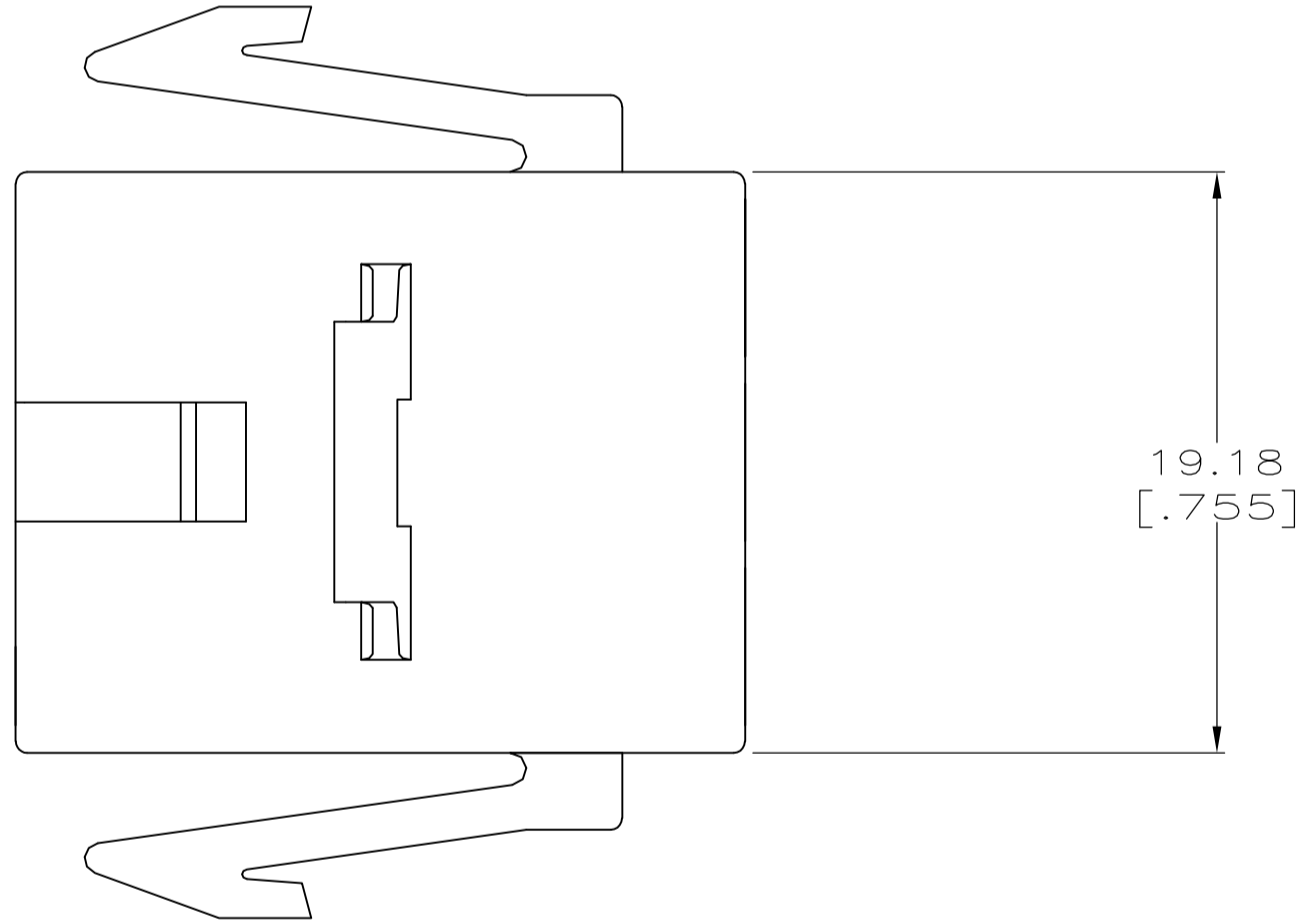


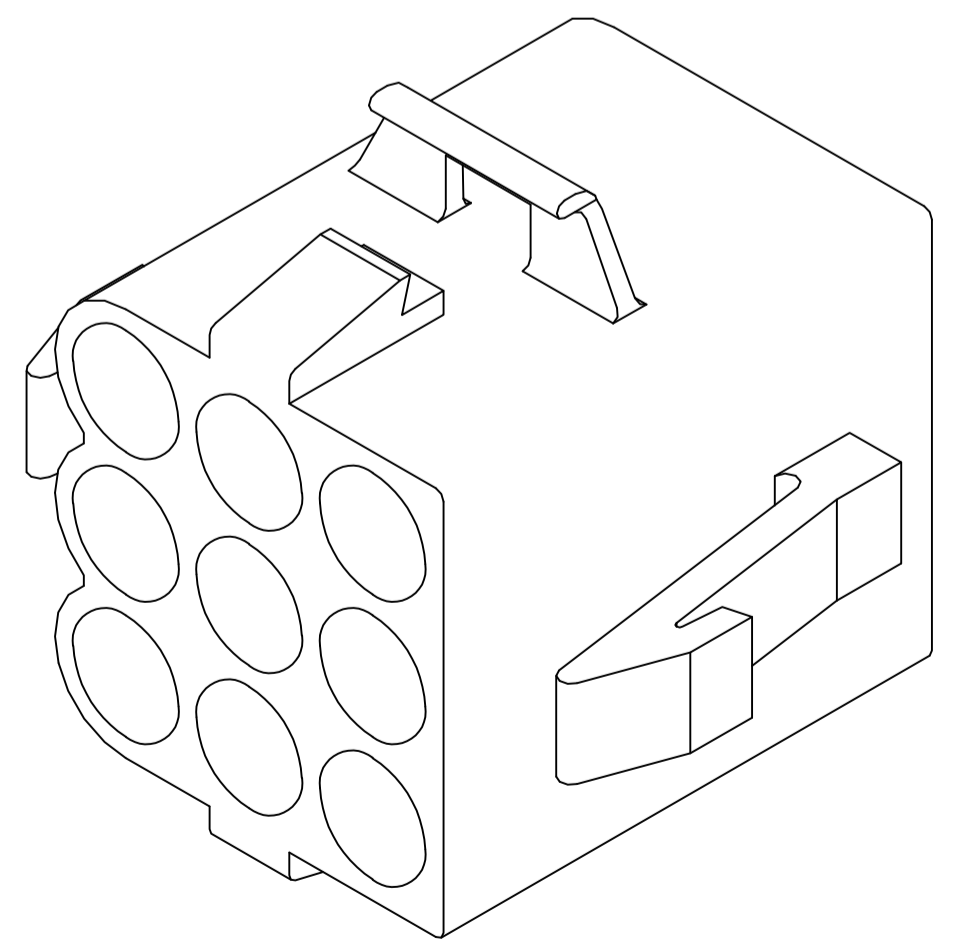
LOC		DIST		REVISIONS			
P	LTR	DESCRIPTION	DATE	DWN	APVD		
H		REVISED PER ECO-07-004130	15MAY07	KW	CC		



- PANEL THICKNESS - 1.02[.040] - 1.78[.070].
- X & Y TO BE EQUAL WITHIN 0.13[.005].
- PANEL MUST BE PUNCHED SO THAT THE HOUSING AND THE PUNCH ENTER THE PANEL IN THE SAME DIRECTION.

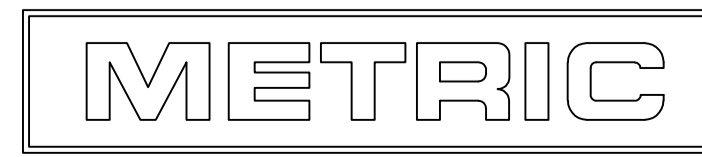


RECOMMENDED PANEL CUT OUT FOR PLUG



3-DIMENSIONAL MODEL NTS

COLOR	PART NUMBER
BLACK	1-480672-9
YELLOW	1-480672-4
BROWN	1-480672-1
NATURAL	1-480672-0



THIS DRAWING IS A CONTROLLED DOCUMENT.

DIMENSIONS: mm [INCHES]	TOLERANCES UNLESS OTHERWISE SPECIFIED:	DIN K. WHITAKER 06-JAN-2000	APVD S. RIDGILL 06-JAN-2000	NAME PLUG, 9 CIRCUIT, .140 MATE-N-LOK(TM)
0. PLC ± -	1. PLC ± -	CHK S. RIDGILL 06-JAN-2000	PRODUCT SPEC	SIZE A1
2. PLC ± 0.13[.005]	3. PLC ± -	APVD S. RIDGILL 06-JAN-2000	APPLICATION SPEC	CAGE CODE 480672
4. PLC ± -	ANGLES ± 0.30°	NAME	RESTRICTED TO	SCALE 4:1 SHEET 1 OF 1 REV H
MATERIAL NYLON, UL94-V2	FINISH -	TYCO ELECTRONICS Tyco Electronics Corporation Harrisburg, PA 17105-3608	CUSTOMER DRAWING	